

Figure 18 PCN Component Layout Bottom

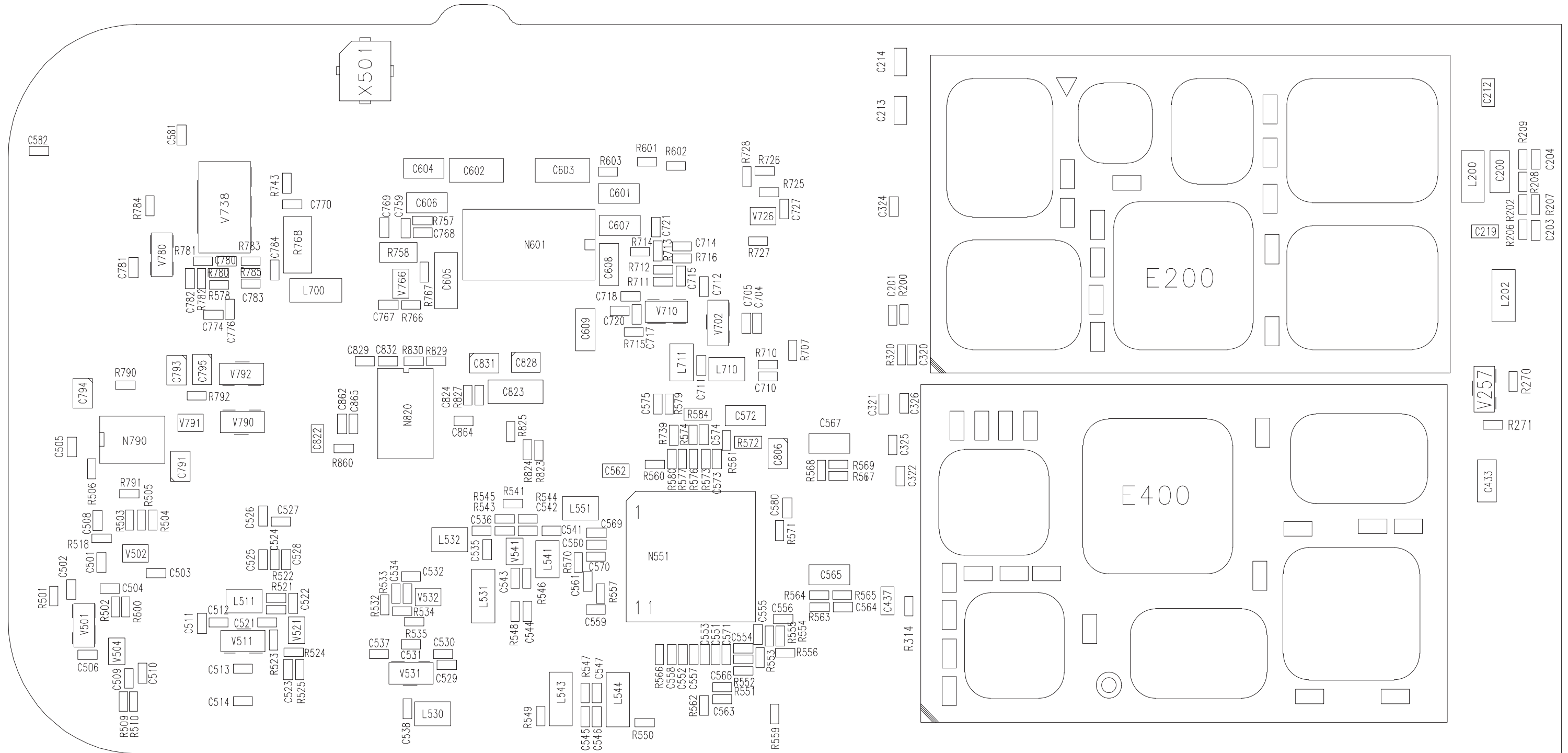


Figure 19 PCN Component Layout Top

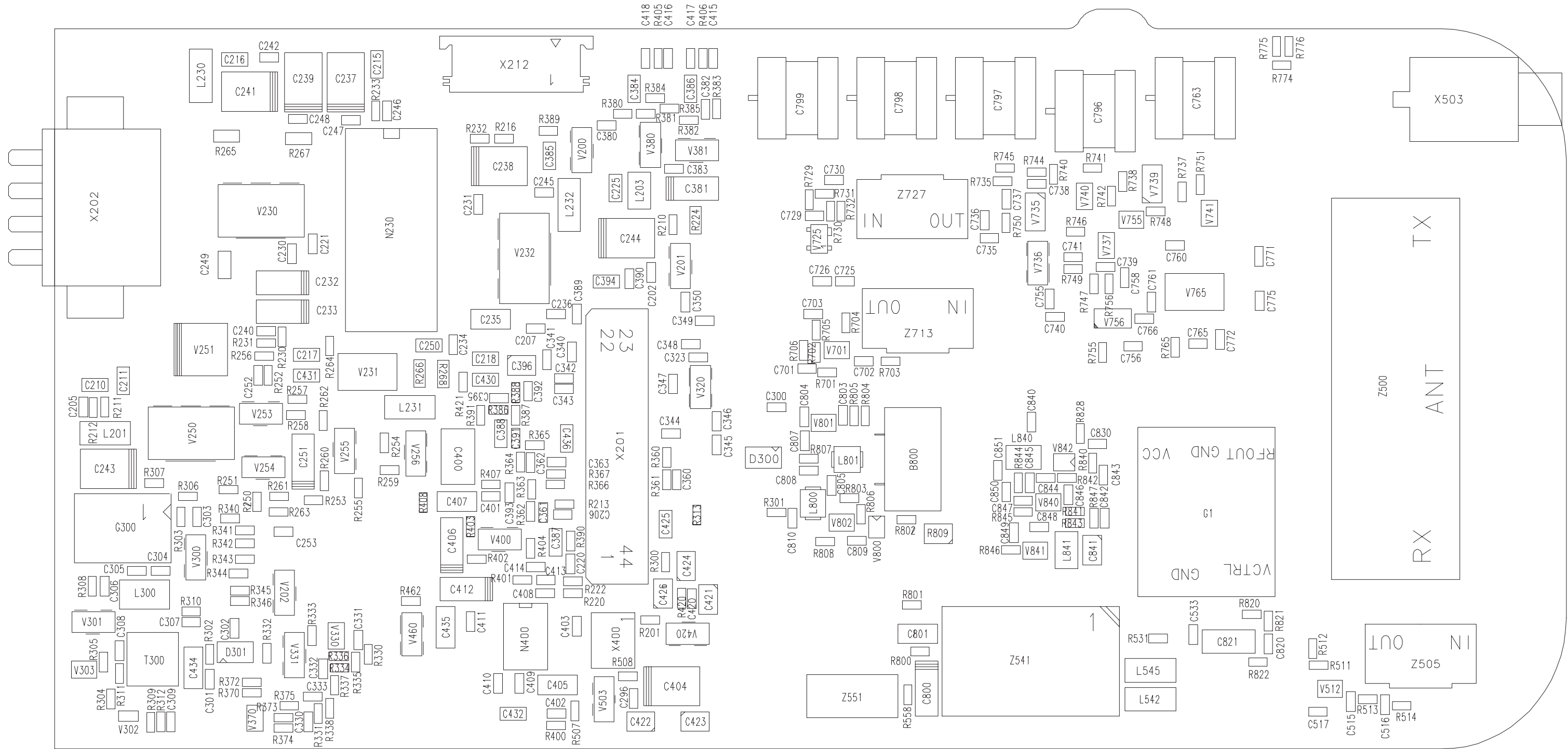


Figure 20 PCN RF / TX

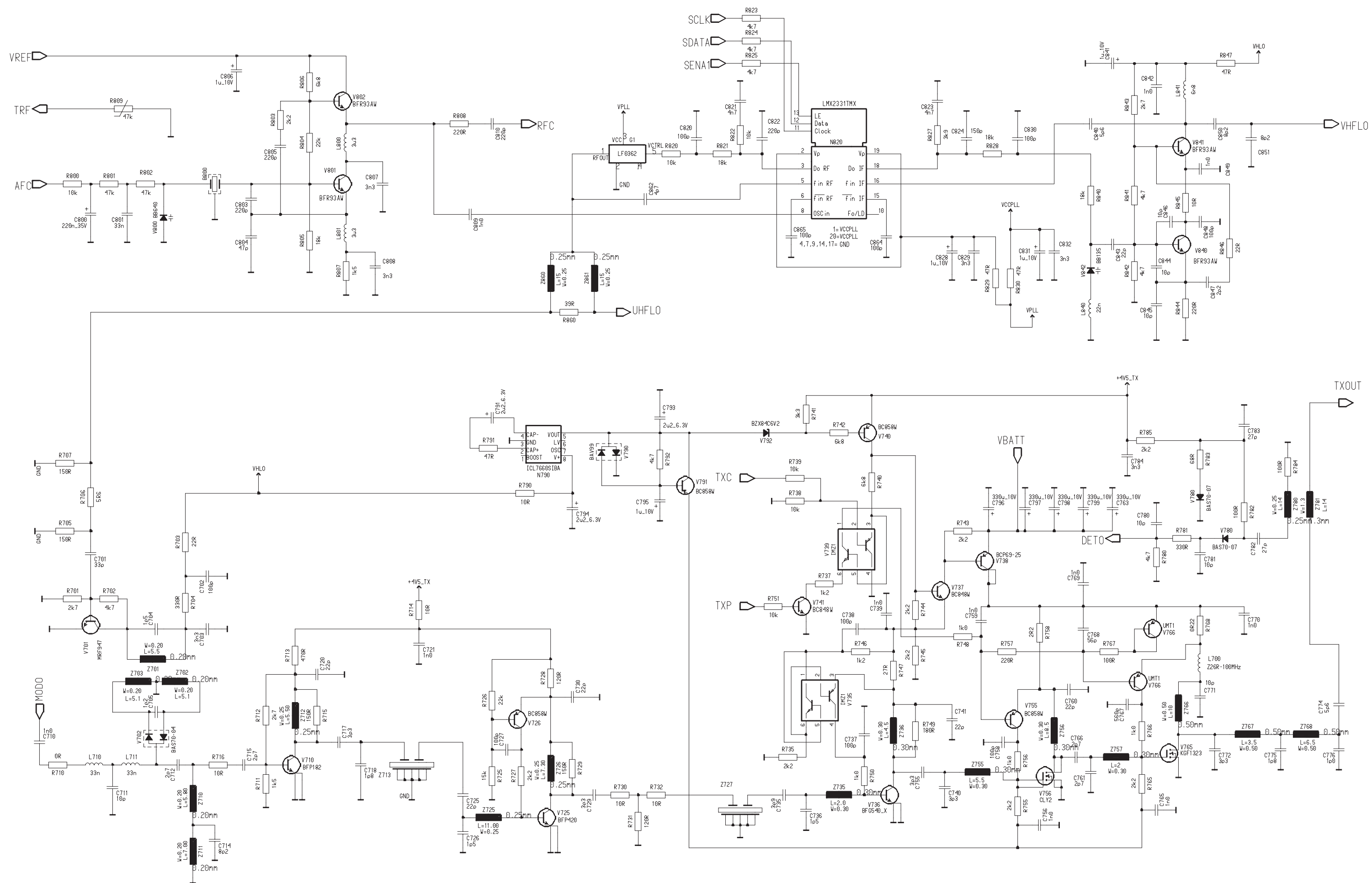


Figure 21 PCN RF / RX

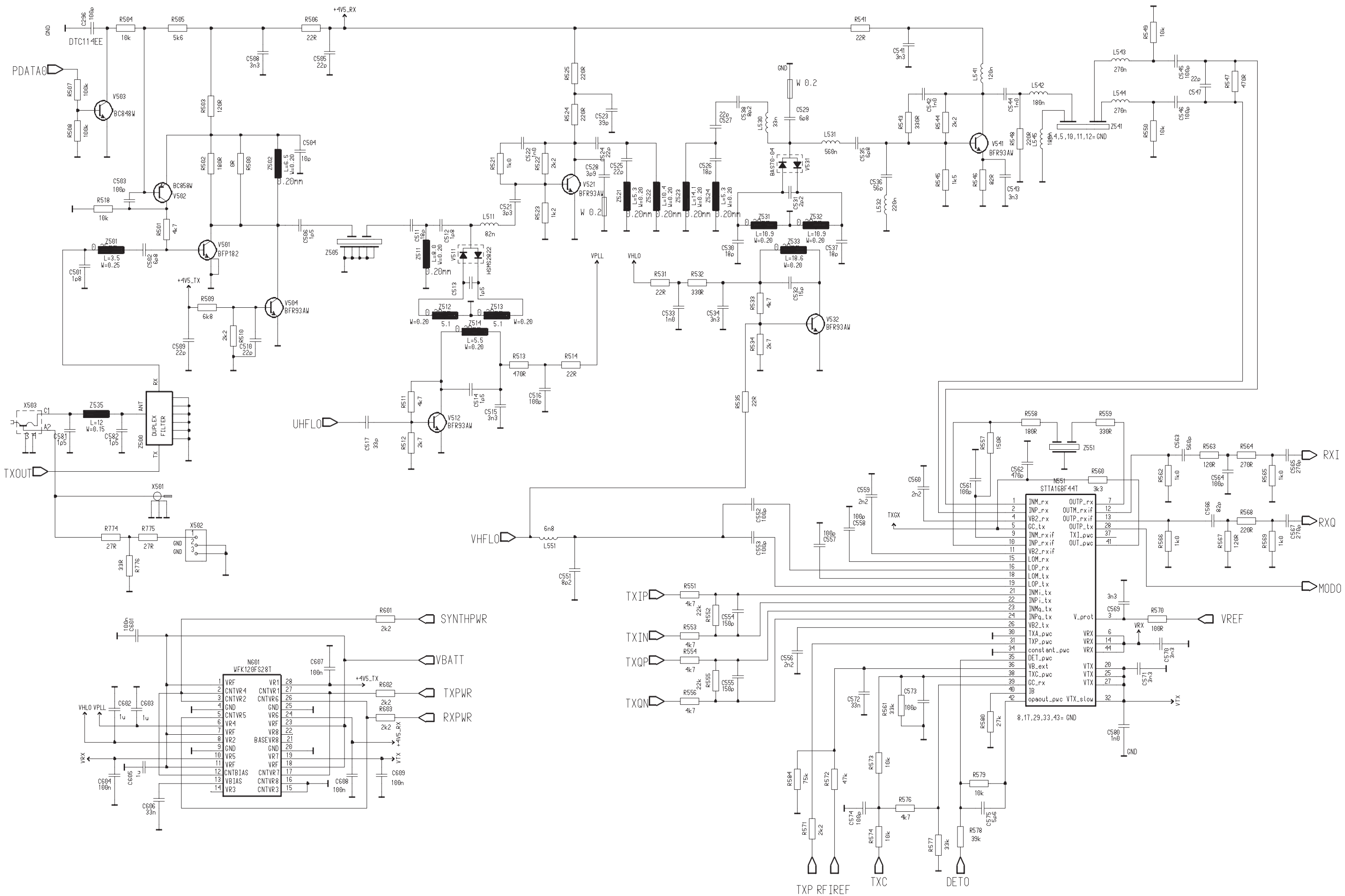


Figure 22 UIF Schematic – PCN

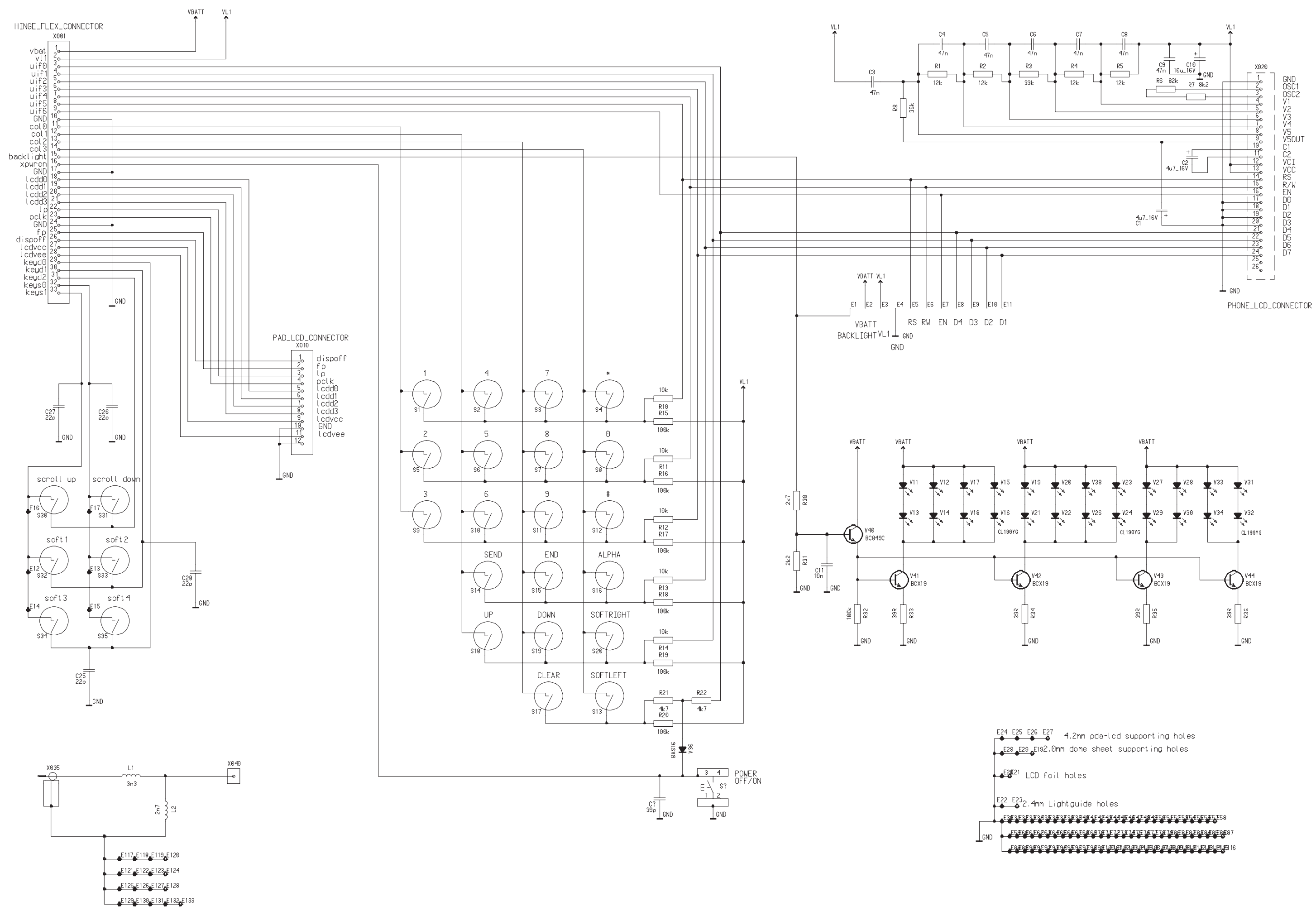


Figure 23 UIF Component Layout – PCN

